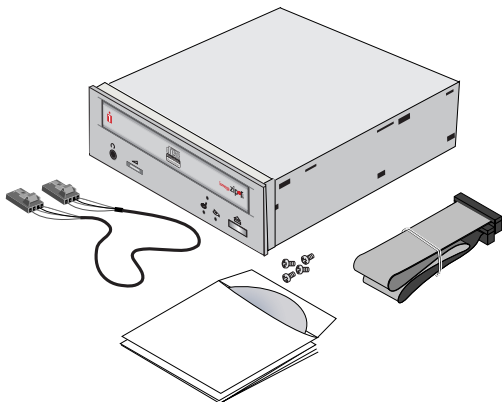
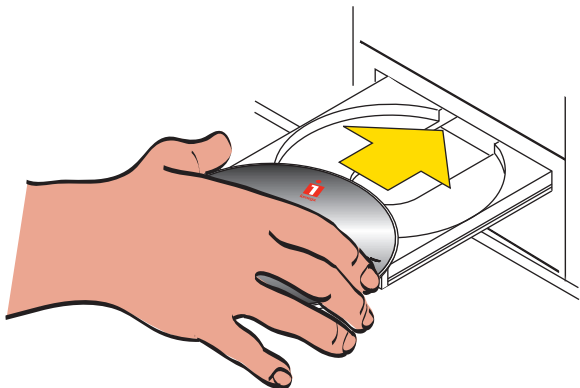




Internal ZipCD™ ATAPI Drive PC Quick Install



1

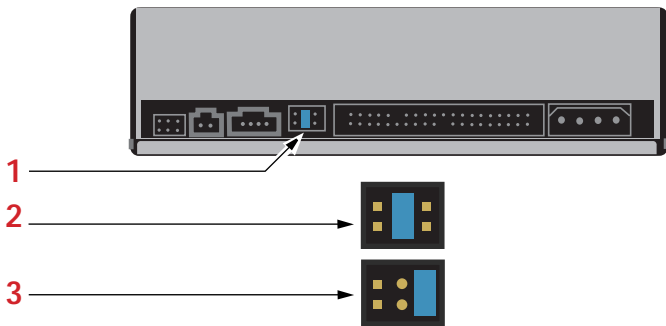


Start your computer, wait for the operating system to load, then insert the ZipCD™ software disc.

Select **“Print Installation Instructions”** to view and print detailed installation instructions. See step 12 for information about viewing the manual.

Select **“Install ZipCD™ Software”** to install the software needed for your ZipCD drive. Follow the onscreen instructions.

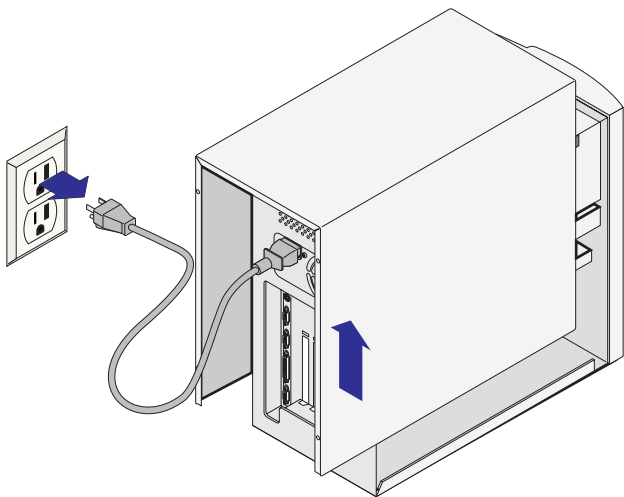
2



If necessary, change the ZipCD™ drive jumper setting **1**.

Leave the setting in the Slave **2** position if you are connecting the ZipCD™ drive on the same data cable with another device. Use the Master **3** setting if the ZipCD drive will be the only device on the secondary IDE channel. Do not use Cable Select unless your computer supports this mode. (Check your computer documentation.)

3

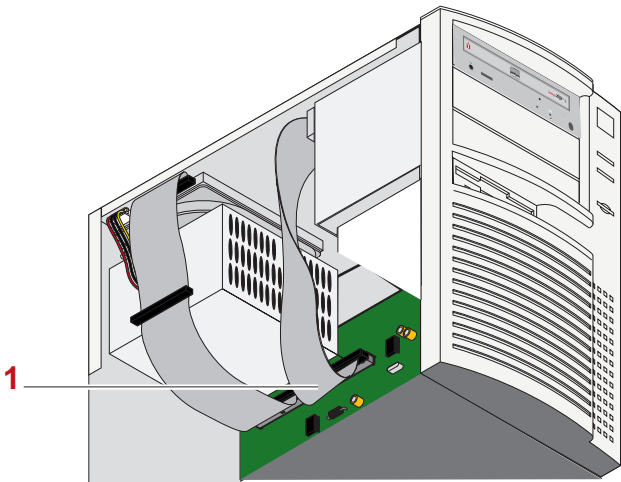


Shut down the computer, disconnect the power cord and remove cover.

CAUTION! Always turn off power to the computer and all devices connected to it before beginning any computer hardware change.

NOTE: Locate and write down the drive serial number for your drive.

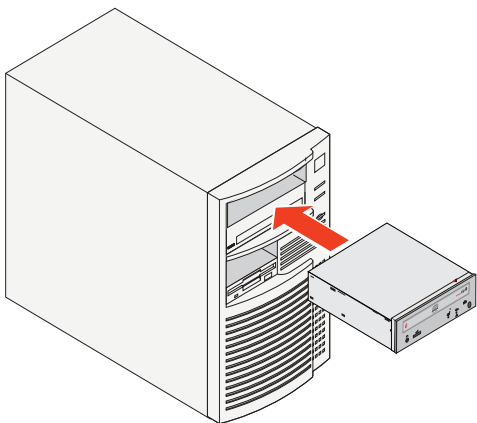
4



Select the IDE interface connection you want to use.

Connect the ZipCD™ drive to the secondary IDE channel **1** either in slave configuration with another drive as master (e.g. CD-ROM) or in master configuration as the only device. If you are unsure about the connection, see step 11 to view and print the detailed instructions.

5

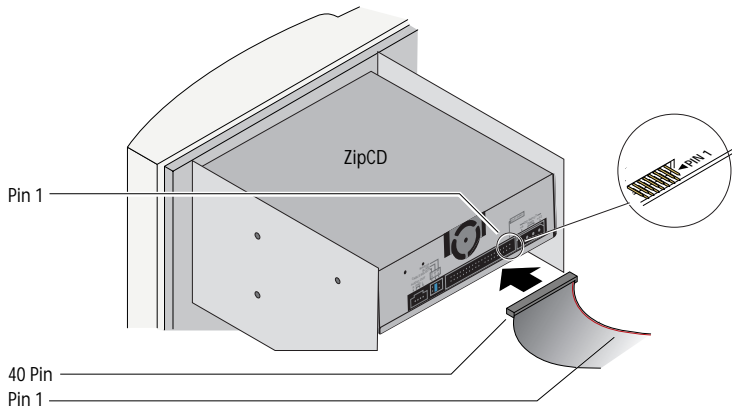


Locate a vacant 5.25" drive bay. Remove the panel cover and slide the ZipCD™ drive into the drive bay.

Some computers may require rails. Check your documentation.

***NOTE:** If it makes it easier to connect cables on your computer, you can secure the ZipCD™ drive in the drive bay now. (See step 9.)*

6

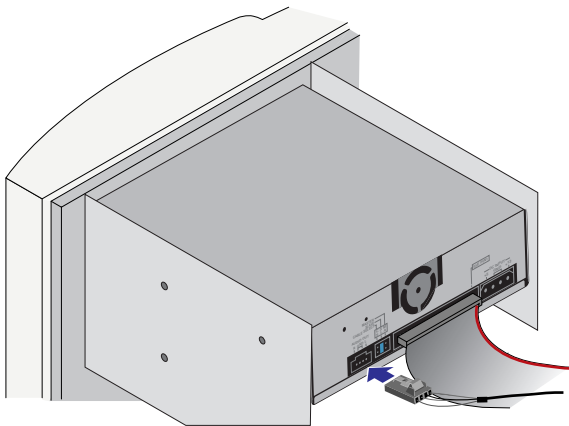


Connect the ZipCD™ drive to the computer's IDE connection using an IDE data cable.

NOTE: You can use either the cable included with the drive or an IDE cable that may already be connected to the computer's motherboard.

CAUTION! Make sure PIN 1 on the cable connects to PIN 1 on the ZipCD™ drive, the motherboard, and any other connected device.

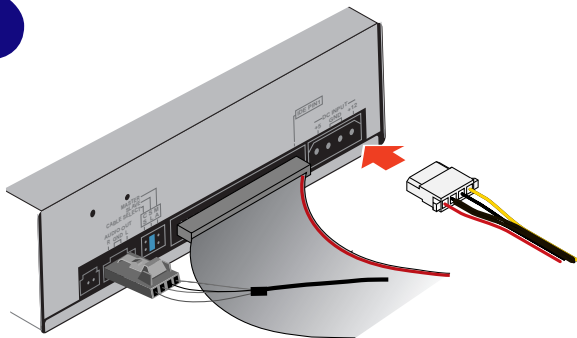
7



Skip this step if the computer's CD-ROM drive is already connected to the computer's audio in port.

Connect the audio cable to the ZipCD™ drive and the computer's audio connector, usually located on the sound card or the motherboard. Check your sound card documentation or your system's documentation and the User's Manual for more detailed instructions.

8

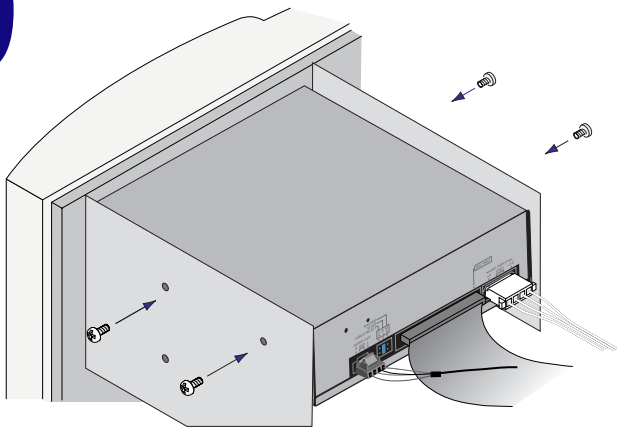


Connect a computer power supply cable.

You may need a Y-cable if your system's power cable does not have a free connector.

CAUTION! Make sure the power supply cable is securely connected to the ZipCD™ drive.

9

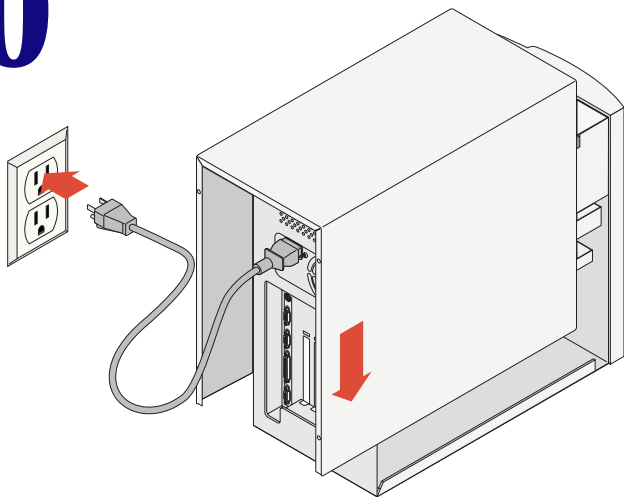


Secure the drive in the drive bay if needed.

If there is not a clear access to the drive bay mounting holes, refer to your computer manual for additional instructions.

CAUTION! Mounting screws must not extend into the ZipCD™ drive farther than 6.0 mm (about 0.25 inch).

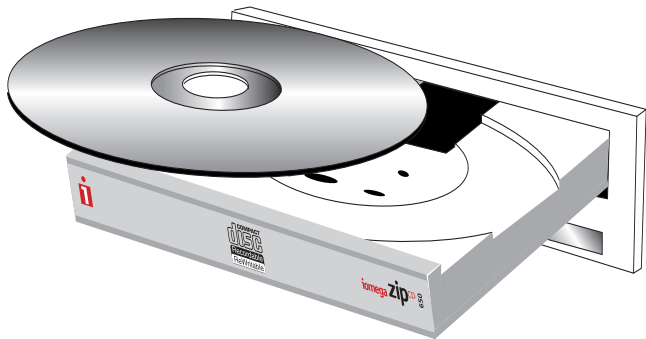
10



Check all connections, arrange the cables to fit under the cover, and replace the computer cover.

Reconnect the power cord, turn on the power switch, and wait for the operating system to load. Because the ZipCD™ drive is plug-and-play, you will not see “New Hardware Detected” in Windows.

11



Congratulations! Your ZipCD™ drive is ready to use.

Write to CDs with your ZipCD™ drive using either CD-R or CD-RW media. Use CD-R media for playing the CD on other computers and stereos. Use CD-R media for writing once. Use CD-RW media to rewrite multiple times.

12

For detailed information about the ZipCD™ drive, view the User's Manual HTML on the ZipCD software disc.

To view the User's Manual on the CD, you must have Microsoft® Internet Explorer® 3.0 or higher or Netscape Navigator™ 4.5 or higher installed on your system.

One way to locate the User's Manual on the ZipCD™ software disc is to right click on the CD icon and select "Explore," then Docs\index.html.

The User's Manual includes a complete list of worldwide support options!

Iomega Web Site

<http://www.iomega.com>

Iomega Web Support Site

<http://www.iomega.com/support>

Customer Support (U.S. & Canada) 1-888-4-IOMEGA (1-888-446-6342)

CE (European Community)

Product Name: Iomega Internal ZipCD™ ATAPI drive

Model Numbers: ZIPCD-DVDROM

ZIPCD1024int


ZIPCDP1024int

ZIPCD1536int

The Iomega Internal ZipCD™ ATAPI drive conforms to the following European Directive(s) and Standard(s): Application of Council Directives: 73/23/EEC, 89/336/EEC. Standards to which Conformity is declared: EN60950, EN55022, EN50082-1, EN60825-1. Importer's Name: Iomega Netherlands branch of Iomega International, S.A.
Type of Equipment: Information Technology Equipment

Manufacturer/Responsible Party

Iomega Corporation
1821 West Iomega Way
Roy, UT 84067 U.S.A.
801-332-1000



CLASS 1
LASER PRODUCT



Copyright © 2000 Iomega Corporation. Iomega, the stylized "i" logo, ZipCD, and the ZipCD brand block are either registered trademarks or trademarks of Iomega Corporation in the United States and/or other countries. Microsoft, Windows, and NT are registered trademarks or trademarks of Microsoft Corporation in the United States and/or other countries. Certain other product names, brand names, and company names may be trademarks or designations of their respective owners.